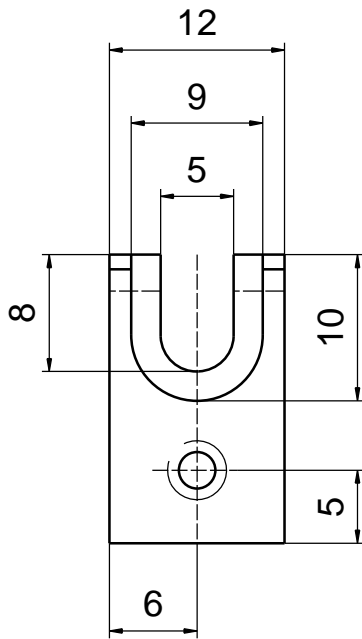


1 2 3 4

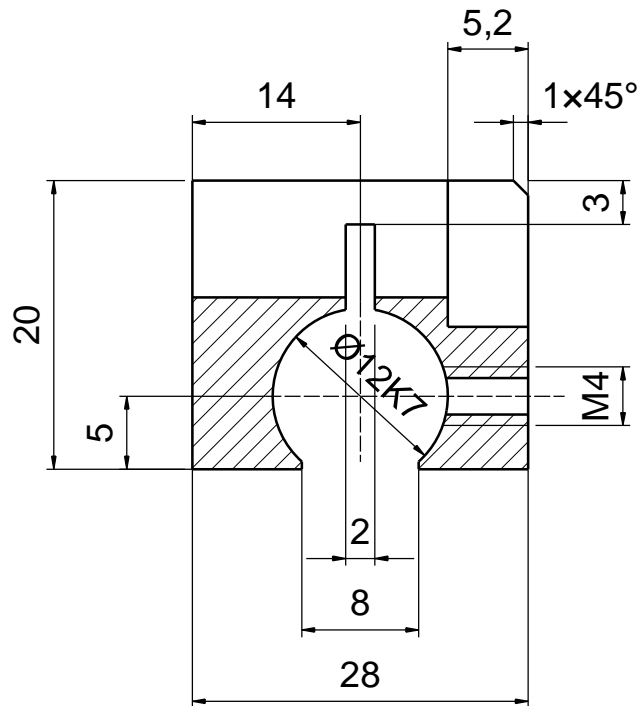
A

1,6 ✓

B




C



D

E

F

				Date	Name	 LIMAT	Title
			Edited				PŘÍCHYTKA GT
			Check				
			Norm				
				Material	DURAL		Scale
							2:1
							Drawing Number
							DC 006/4
Resp.	Modification	Date	Name	Origin	Repl. for		Repl. by